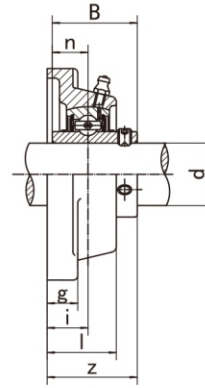
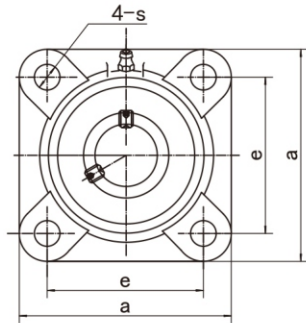


**Flange Units (Square)**

**UCFX (Medium-duty)**



Unit NO.	Dimensions ( mm / in. )										Bolt Size mm/in.	Bearing No.	Housing No.	Weight (kg)
	d	a	e	i	g	l	s	z	B	n				
UCFX05	25	108	83	18	13	30	12	40.2	38.1	15.9	M10	UCX05	FX05	1.10
X05-13	13/16											UCX05-13		
X05-14	7/8	4-1/4	3-17/64	45/64	1/2	1-3/16	15/32	1-19/32	1.5000	0.626	3/8	UCX05-14		
X05-15	15/16											UCX05-15		
X05-16	1											UCX05-16		
UCFX06	30	117	92	19	14	34	16	44.4	42.9	17.5	M14	UCX06	FX06	1.40
X06-17	1-1/16											UCX06-17		
X06-18	1-1/8	4-39/64	3-5/8	3/4	9/16	1-11/32	5/8	1-3/4	1.6890	0.689	1/2	UCX06-18		
X06-19	1-3/16											UCX06-19		
X06-20	1-1/4											UCX06-20		
UCFX07	35	130	102	21	14	38	16	51.2	49.2	19	M14	UCX07	FX07	1.80
X07-21	1-5/16											UCX07-21		
X07-22	1-3/8	5-1/8	4-1/64	53/64	9/16	1-1/2	5/8	2-1/64	1.9370	0.748	1/2	UCX07-22		
X07-23	1-7/16											UCX07-23		
UCFX08	40	137	105	22	14	40	19	52.2	49.2	19	M16	UCX08	FX08	2.10
X08-24	1-1/2	5-13/32	4-9/64	55/64	9/16	1-9/16	3/4	2-1/64	1.9370	0.748	5/8	UCX08-24		
X08-25	1-9/16											UCX08-25		
UCFX09	45	143	111	23	14	40	19	55.6	51.6	19	M16	UCX09	FX09	2.30
X09-26	1-5/8											UCX09-26		
X09-27	1-11/16	5-5/8	4-3/8	29/32	9/16	1-9/16	3/4	2-3/16	2.0315	0.748	5/8	UCX09-27		
X09-28	1-3/4											UCX09-28		
X09-29	1-13/16											UCX09-29		
UCFX10	50	162	130	26	20	44	19	59.4	55.6	22.2	M16	UCX10	FX10	3.30
X10-30	1-7/8											UCX10-30		
X10-31	1-15/16	6-3/8	5-1/8	1-1/32	25/32	1-23/32	3/4	2-11/32	2.1890	0.874	5/8	UCX10-31		
X10-32	2											UCX10-32		
UCFX11	55	175	143	29	20	49	19	68.7	65.1	25.4	M16	UCX11	FX11	4.10
X11-33	2-1/16											UCX11-33		
X11-34	2-1/8	6-57/64	5-5/8	1-9/64	25/32	1-15/16	3/4	2-45/64	2.5630	1.000	5/8	UCX11-34		
X11-35	2-3/16											UCX11-35		
X11-36	2-1/4											UCX11-36		
X11-37	2-5/16											UCX11-37		
UCFX12	60	187	149	34	21	59	19	73.7	65.1	25.4	M16	UCX12	FX12	5.30
X12-38	2-3/8	7-23/64	5-55/64	1-11/32	13/16	2-5/16	3/4	2-29/32	2.5630	1.000	5/8	UCX12-38		
X12-39	2-7/16											UCX12-39		
UCFX13	65	187	149	34	21	59	19	78.4	74.6	30.2	M16	UCX13	FX13	5.40
X13-40	2-1/2	7-23/64	5-55/64	1-11/32	13/16	2-5/16	3/4	3-3/32	2.9370	1.189	5/8	UCX13-40		
X13-41	2-9/16											UCX13-41		
UCFX14	70	197	152	37	24	60	23	81.5	77.8	33.3	M20	UCX14	FX14	6.30
X14-42	2-5/8											UCX14-42		
X14-43	2-11/16	7-3/4	5-63/64	1-29/64	15/16	2-3/8	29/32	3-13/64	3.0630	1.311	3/4	UCX14-43		
X14-44	2-3/4											UCX14-44		
UCFX15	75	197	152	40	24	68	23	89.3	82.6	33.3	M20	UCX15	FX15	7.60
X15-45	2-13/16											UCX15-45		
X15-46	2-7/8	7-3/4	5-63/64	1-37/64	15/16	2-11/16	29/32	3-33/64	3.2520	1.311	3/4	UCX15-46		
X15-47	2-15/16											UCX15-47		
X15-48	3											UCX15-48		
UCFX16	80	214	171	40	24	70	23	91.6	85.7	34.1	M20	UCX16	FX16	9.40
X16-49	3-1/16											UCX16-49		
X16-50	3-1/8	8-7/16	6-47/64	1-37/64	15/16	2-3/4	29/32	3-39/64	3.3740	1.343	3/4	UCX16-50		
X16-51	3-3/16											UCX16-51		
X16-52	3-1/4											UCX16-52		
UCFX17	85	214	171	40	24	70	23	96.3	96	39.7	M20	UCX17	FX17	10.40
X17-53	3-5/16	8-7/16	6-47/64	1-37/64	15/16	2-3/4	29/32	3-25/32	3.7795	1.563	3/4	UCX17-53		
X17-55	3-7/16											UCX17-55		
UCFX18	90	214	171	45	24	76	23	106.1	104	42.9	M20	UCX18	FX18	11.70
X18-56	3-1/2	8-7/16	6-47/64	1-49/64	15/16	3	29/32	4-3/16	4.0945	1.689	3/4	UCX18-56		
UCFX20	100	268	211	59	31	97	31	127.3	117.5	49.2	M27	UCX20	FX20	20.20
X20-64	4	10-9/16	8-5/16	2-21/64	1-7/32	3-13/16	1-7/32	5-1/64	4.6260	1.689	1	UCX20-64		