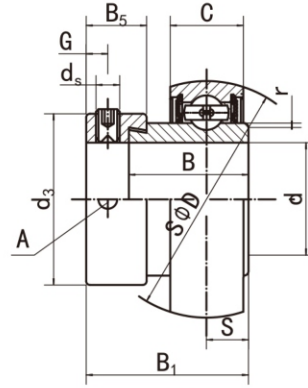
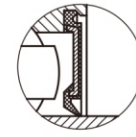


**K000**



**U000**



J type seal  
(Standard)



H type seal  
(Optional)

Bearing NO.	Dimensions ( mm / in. )								Dynamic load ratings (N)	Static load ratings (N)	Weight (kg)
	d	D	B	C	r	S	G	d <sub>s</sub>			
K000 SS-K000	10	26 1.0236	14 0.551	8 0.315	0.5	4.0 0.157	3.0 0.118	M3X0.35	4606	1906	0.02
K001 SS-K001	12	28 1.1024	14.5 0.571	8 0.315		4.0 0.157	3.0 0.118	M3X0.35	5096	2401	0.03
K002 SS-K002	15	32 1.2598	16.5 0.65	9 0.354		4.5 0.177	3.5 0.138	M4X0.5	5586	2842	0.05
K003 SS-K003	17	35 1.3779	17.5 0.689	10 0.394		5.0 0.197	3.5 0.138	M4X0.5	5978	3284	0.05
K004 SS-K004	20	42 1.6535	21 0.827	12 0.472	1.0	6.0 0.236	4.0 0.157	M5X0.5	9359	5047	0.09
K005 SS-K005	25	47 1.8504	22.5 0.886	12 0.472	1.0	6.0 0.236	4.5 0.177	M5X0.5	10094	5831	0.10
K006 SS-K006	30	55 2.1653	24.5 0.965	13 0.512	1.5	6.5 0.256	5.0 0.197	M5X0.5	13230	8281	0.15

Bearing NO.	Dimensions ( mm / in. )										Dynamic load ratings (N)	Static load ratings (N)	Weight (kg)	
	d	D	B <sub>1</sub>	B	C	r	S	B <sub>5</sub>	d <sub>3</sub>	A				d <sub>s</sub>
U000 SS-U000	10	26 1.0236	17.5 0.6890	11.0 0.4330	8.0 0.3150	0.5	4.0 0.157	8.5 0.335	17.0 0.669	3.5 0.138	M4X0.7	4606	1906	0.03
U001 SS-U001	12	28 1.1024	17.5 0.6890	11.0 0.4330	8.0 0.3150		4.0 0.157	8.5 0.335	19.0 0.748	3.5 0.138		5096	2401	0.04
U002 SS-U002	15	32 1.2598	18.5 0.7280	12.0 0.4720	9.0 0.3540		4.5 0.177	8.5 0.335	22.0 0.866	3.5 0.138		5586	2842	0.05
U003 SS-U003	17	35 1.3779	20.5 0.8070	13.5 0.5310	10.0 0.3940		5.0 0.197	9.5 0.374	25.0 0.984	3.5 0.138		5978	3284	0.06
U004 SS-U004	20	42 1.6535	24.5 0.9640	16.5 0.6500	12.0 0.4720	1.0	6.0 0.236	11.0 0.433	30.0 1.181	5.0 0.197	M5X0.8	9359	5047	0.10
U005 SS-U005	25	47 1.8504	25.5 1.0040	17.5 0.6890	12.0 0.4720		6.0 0.236	12.0 0.472	36.0 1.417	5.0 0.197		10094	5831	0.14
U006 SS-U006	30	55 2.1653	26.5 1.0430	18.5 0.7280	13.0 0.5120		1.5	6.5 0.256	12.0 0.472	42.0 1.653		5.0 0.197	13230	8281
U007 SS-U007	35	62 2.4400	29.5 1.1610	20.0 0.7870	14.0 0.5510	1.5	7.0 0.276	13.5 0.531	48.0 1.889	5.0 0.197	M6X0.75	15920	10290	0.25