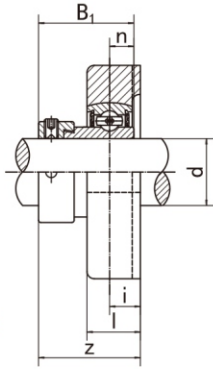
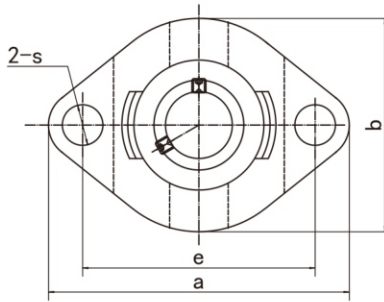


**SAFD2**  
(SA2-Fitted)

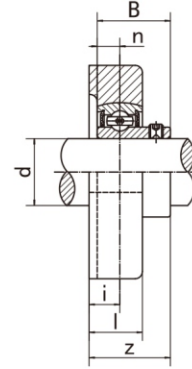


SAFD2

**Flange Unit**  
(Light duty)



**SBFD2**  
(SB2-Fitted)



SBFD2

Unit NO.	Dimensions ( mm / in. )										Bolt Size mm/in.	Bearing No.	Housing No.	Weight (kg)
	d	a	e	b	i	s	l	z	B <sub>1</sub>	n				
SAFD 201 201-8	12 1/2	81	63	59	8.5	7	15	30.6	28.6	6.5	M6	SA201	FD201	0.29
SAFD 202 202-9 202-10	15 9/16 5/8											SA201-8		
SAFD 203 203-11	17 11/16											SA202		
SAFD 204 204-12	20 3/4	3-3/16	2-31/64	2-21/64	21/64	9/32	19/32	1-13/64	1.1260	0.2559	1/4	SA202-9	FD202	0.40
SAFD 205 205-13 205-14 205-15 205-16	25 13/16 7/8 15/16 1	2-63/64	2-51/64	3/8	25/64	43/64	1-19/64	1.2204	0.2953	5/16	M8	SA203	FD203	
SAFD 206 206-17 206-18 206-19 206-20	30 1-1/16 1-1/8 1-3/16 1-1/4	3-3/4	2-51/64	3/8	25/64	43/64	1-19/64	1.2204	0.2953	5/16	M8	SA204	FD204	
SAFD 207 207-20 207-21 207-22 207-23	35 1-1/4 1-5/16 1/3/8 1-7/16	113	90	84	12	12	21	38.7	35.7	9	M10	SA205	FD205	0.45
SAFD 208 208-9 208-10	15 9/16 5/8	3-3/16	2-31/64	2-21/64	21/64	9/32	19/32	1-13/64	1.1260	0.2559	1/4	SA206	FD206	
SAFD 209 209-11	17 11/16	3-3/16	2-31/64	2-21/64	21/64	9/32	19/32	1-13/64	1.1260	0.2559	1/4	SA207	FD207	

Unit NO.	Dimensions ( mm / in. )										Bolt Size mm/in.	Bearing No.	Housing No.	Weight (kg)
	d	a	e	b	i	s	l	z	B	n				
SBFD 201 201-8	12 1/2	81	63	59	8.5	7	15	24	22	6	M6	SB201	FD201	0.27
SBFD 202 202-9 202-10	15 9/16 5/8											SB201-8		
SBFD 203 203-11	17 11/16											SB202		
SBFD 204 204-12	20 3/4	3-3/16	2-31/64	2-21/64	21/64	9/32	19/32	61/64	0.8661	0.2362	1/4	SB202-9	FD202	0.37
SBFD 205 205-13 205-14 205-15 205-16	25 13/16 7/8 15/16 1	2-63/64	2-51/64	3/8	25/64	43/64	1-9/64	1.0630	0.2953	5/16	M8	SB203	FD203	
SBFD 206 206-17 206-18 206-19 206-20	30 1-1/16 1-1/8 1-3/16 1-1/4	3-3/4	2-51/64	3/8	25/64	43/64	1-9/64	1.0630	0.2953	5/16	M8	SB204	FD204	
SBFD 207 207-20 207-21 207-22 207-23	35 1-1/4 1-5/16 1/3/8 1-7/16	113	90	84	12	12	21	34	30	8	M10	SB205	FD205	0.41
SBFD 208 208-9 208-10	15 9/16 5/8	3-3/16	2-31/64	2-21/64	21/64	9/32	19/32	1-13/64	1.1260	0.2559	1/4	SB206	FD206	
SBFD 209 209-11	17 11/16	3-3/16	2-31/64	2-21/64	21/64	9/32	19/32	1-13/64	1.1260	0.2559	1/4	SB207	FD207	

Note: To specify relubricatable units, add "G" suffix, (e.g., SBFD205-16G)